



WS_B Series

Model 3886

SUBMERSIBLE SEWAGE PUMP



FEATURES

Impeller: Cast iron, semi-open, dynamically balanced, non-clog with pump out vanes for mechanical seal protection. Optional Silicon bronze impeller available.

Casing: Cast iron volute type for maximum efficiency. Designed for easy installation on A10-20 guide rail or base elbow rail systems.

Mechanical Seal: SILICON CARBIDE VS. SILICON CARBIDE sealing faces for superior abrasive resistance, stainless steel metal parts, BUNA-N elastomers.

Shaft: Corrosion-resistant stainless steel. Threaded design. Locknut on all models to guard against component damage on accidental reverse rotation.

Fasteners: 300 series stainless steel.

Capable of running dry without damage to components.

Designed for continuous operation when fully submerged.

EXTENDED WARRANTY AVAILABLE FOR RESIDENTIAL APPLICATIONS.

AGENCY LISTINGS



Tested to UL 778 and CSA 22.2 108 Standards
By Canadian Standards Association
File #LR38549

APPLICATIONS

Specifically designed for the following uses:

- Homes
- Sewage systems
- Dewatering/Effluent
- Water transfer

SPECIFICATIONS

Pump

- Solids handling capabilities: 2" maximum
- Discharge size: 2" NPT
- Capacities: up to 185 GPM
- Total heads: up to 38 feet TDH
- Temperature: 104°F (40°C) continuous, 140°F (60°C) intermittent

MOTORS

- Fully submerged in high grade turbine oil for lubrication and efficient heat transfer. All ratings are within the working limits of the motor.
- Class B insulation

Single phase (60 Hz):

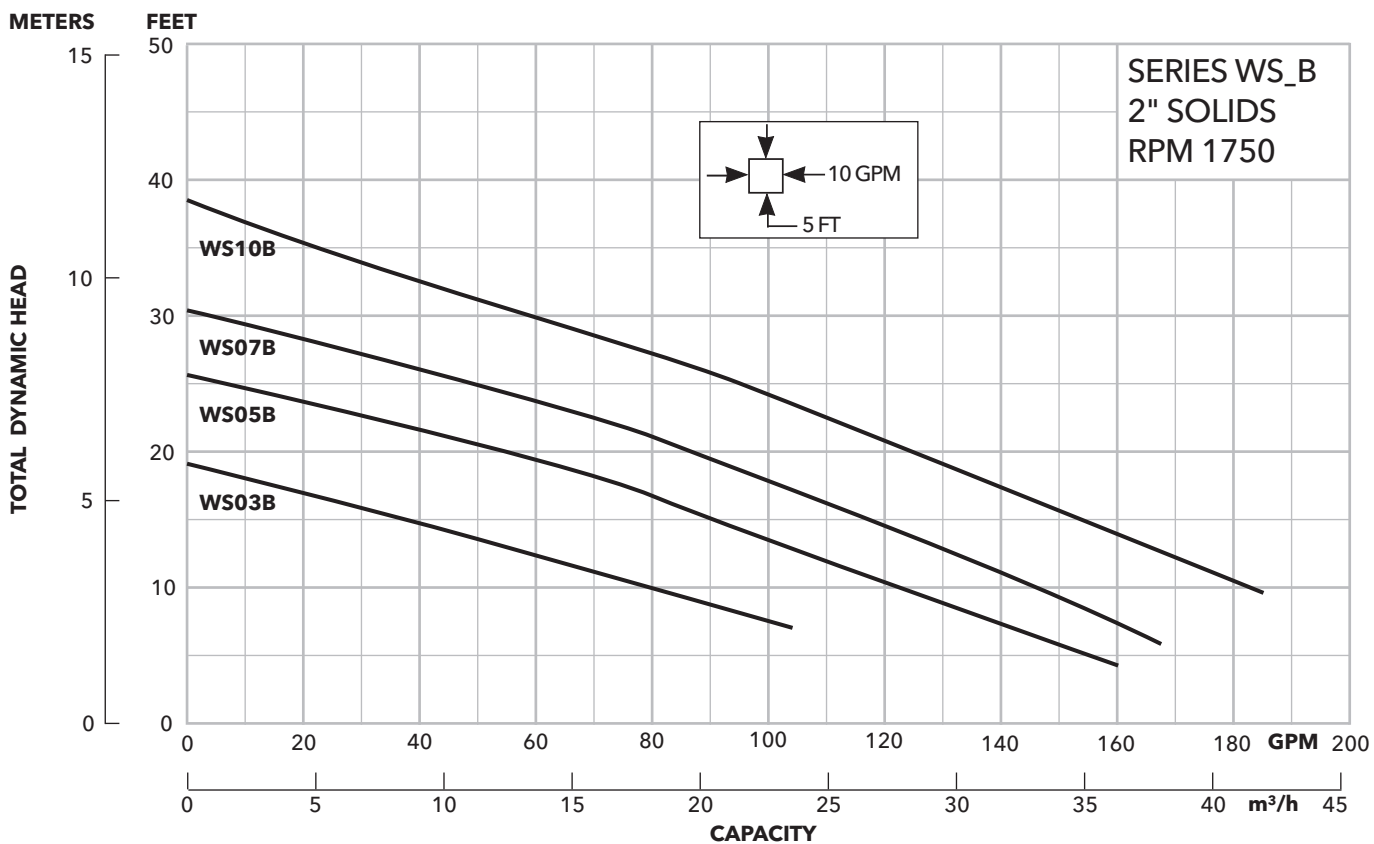
- All single phase models feature capacitor start motors for maximum starting torque.
- Built-in overload with automatic reset.
- SJTOW or STOW severe duty oil and water resistant power cords.
- 1/3 - 1 HP models have NEMA three prong grounding plugs.

Three phase (60 Hz):

- Class 10 overload protection must be provided in separately ordered starter unit.
- STOW power cords all have bare lead cord ends.
- **Bearings:** Upper and lower heavy duty ball bearing construction.
- **Designed for Continuous Operation:** Pump ratings are within the motor manufacturer's recommended working limits, can be operated continuously without damage when fully submerged.
- **Power Cable:** Severe duty rated, oil and water resistant. Epoxy seal on motor end provides secondary moisture barrier in case of outer jacket damage and to prevent oil wicking. Standard cord is 20'. Optional lengths are available.
- **Motor Cover O-ring:** Assures positive sealing against contaminants and oil leakage.

MODELS

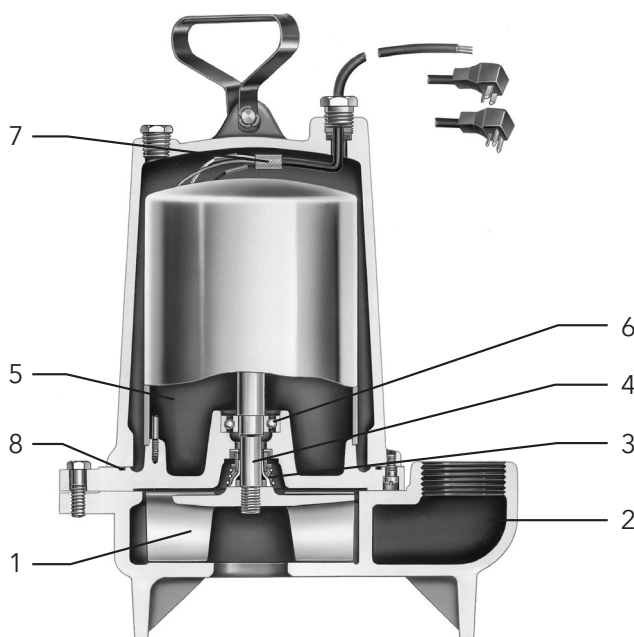
Order Number	HP	Phase	Volts	RPM	Impeller Diameter (in.)	Maximum Amps	Locked Rotor Amps	KVA Code	Full Load Efficiency	Resistance		Weight (lbs.)
										Start	Line-Line	
WS0311B	0.33	1	115	1750	4.69	10.7	30.0	M	54	11.9	1.7	63
WS0318B			208			6.8	19.5	K	51	9.1	4.2	
WS0312B			230			4.9	14.1	L	53	14.5	8.0	
WS0511B	0.5	1	115		5.00	14.5	31.1	J	55	9.3	1.4	65
WS0518B			208			8.0	19.5	K	51	9.1	4.2	
WS0512B			230			7.3	16.5	J	54	11.7	5.6	
WS0538B		3	200			3.8	12.3	K	75	NA	6.7	
WS0532B			230			3.3	9.7	K	75	NA	9.9	
WS0534B			460			1.7	4.9	K	75	NA	39.4	
WS0537B	575	1.4	4.3		K	68	NA	47.8				
WS0718B	0.75	1	208		5.38	11.0	39.0	K	65	2.6	1.4	85
WS0712B			230			9.4	24.8	J	57	4.8	2.3	
WS0738B		3	200	4.1		21.2	H	74	NA	4.3		
WS0732B			230	3.6		17.3	J	76	NA	5.6		
WS0734B			460	1.8		8.9	J	76	NA	22.4		
WS0737B			575	1.5		7.3	J	71	NA	29.2		
WS1018B	1	1	208	5.75	14.0	39.0	K	65	2.6	1.4		
WS1012B			230		12.3	30.5	H	60	4.3	1.8		
WS1038B		3	200		6.0	21.2	H	74	NA	4.3		
WS1032B			230		5.8	17.3	J	76	NA	5.6		
WS1034B			460		2.9	8.9	J	76	NA	22.4		
WS1037B			575		2.4	7.3	J	71	NA	29.2		



COMPONENTS *(for reference only)*

Item No.	Description
1	Impeller
2	Casing
3	Mechanical Seal
4	Motor Shaft
5	Motor
6	Ball Bearings
7	Power Cable
8	Casing O-Ring

NOTE: For specific parts breakdown, see repair parts.

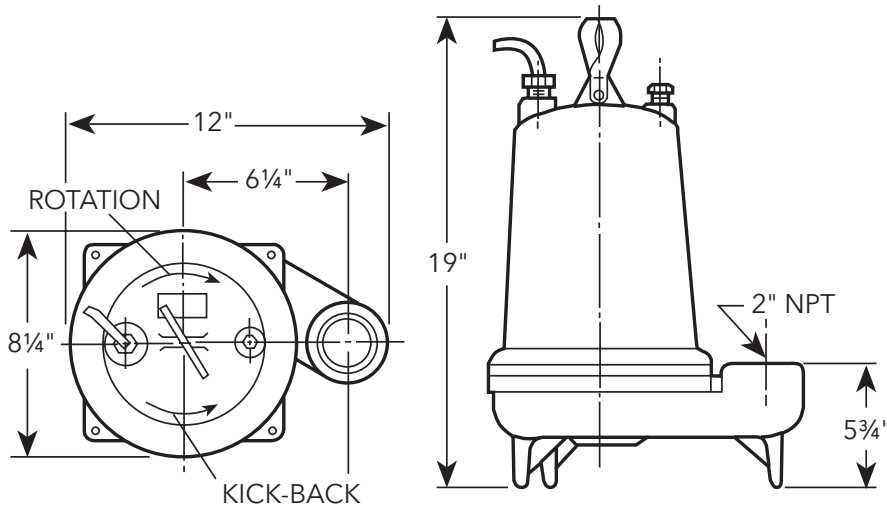


PERFORMANCE RATINGS (gallons per minute)

Order No.	WS03B	WS05B	WS07B	WS10B
HP	1/3	1/2	3/4	1
RPM	1750	1750	1750	1750
Total Head Feet of Water				
10	80	122	145	183
15	36	90	116	152
20	-	50	86	123
25	-	-	48	95
30	-	-	-	58
35	-	-	-	20

DIMENSIONS

(All dimensions are in inches. Do not use for construction purposes.)



STANDARD PANEL OPTIONS

Pump Order Number	K Series		Boulay Series	
	Simplex	Duplex	Simplex	Duplex
WS0311B	KS19020WF	KD19020WF	S10020	D10020
WS0318B	KS19020WF	KD19020WF	S10020	D10020
WS0312B	KS19020WF	KD19020WF	S10020	D10020
WS0511B	KS19020WF	KD19020WF	S10020	D10020
WS0518B	KS19020WF	KD19020WF	S10020	D10020
WS0512B	KS19020WF	KD19020WF	S10020	D10020
WS0538B	KS31255WF	KD31255WF	S32540	D32540
WS0532B	KS31255WF	KD31255WF	S32540	D32540
WS0534B	KS31255WF	KD31255WF	S31615	D31615
WS0537B	N/A	N/A	S31615	D31615
WS0718B	KS19020WF	KD19020WF	S10020	D10020
WS0712B	KS19020WF	KD19020WF	S10020	D10020
WS0738B	KS31255WF	KD31255WF	S34063	D34063
WS0732B	KS31255WF	KD31255WF	S32540	D32540
WS0734B	KS31255WF	KD31255WF	S31625	D31625
WS0737B	N/A	N/A	S31625	D31625
WS1018B	KS19020WF	KD19020WF	S10020	D10020
WS1012B	KS19020WF	KD19020WF	S10020	D10020
WS1038B	KS34518WF	KD34518WF	S34063	D34063
WS1032B	KS34518WF	KD34518WF	S34063	D34063
WS1034B	KS31255WF	KD31255WF	S32540	D32540
WS1037B	N/A	N/A	S32540	D32540

Note: Boulay Series part numbers have additional available features, see page 7 for more information.

Note: K Series panel part numbers include floats, to order without float switches, remove the 'WF' suffix. Boulay Series panels do not include float switches.



K-SERIES

- NEMA 4X dead front outdoor rated enclosure
- Red LED alarm beacon
- HOA selector switch
- Field wiring terminal block
- Single phase models handle 120, 208 and 230V service
- Three phase models handle 200, 230 and 460V service
- Requires separate control/alarm power feed
- See brochure "BCPKSDPANELS" for additional information

BOULAY SERIES

- NEMA 4X outdoor rated enclosure
- Red alarm beacon
- HOA selector switch
- Through door pump run light(s)
- Through door alarm test and horn silence button
- Single phase models handle 120, 208 and 230V service
- Three phase models handle 200, 230, 460 and 575V service
- Accepts single or dual power feed
- See brochure "BCP3 R11" for additional information on simplex models
- See brochure "BCP4 R14" for additional information on duplex models